


# PRODUCT SHEET

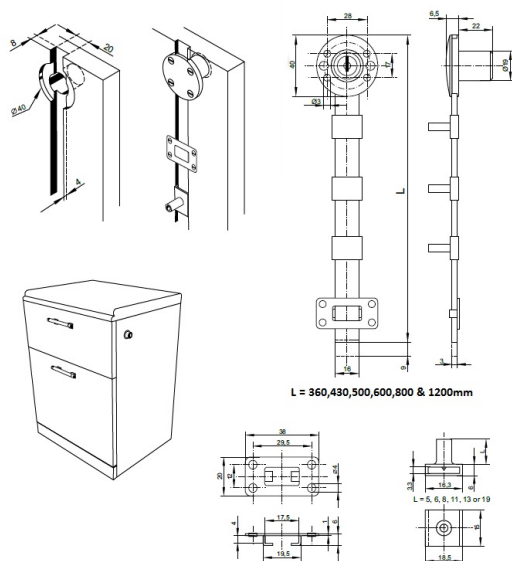
## Description:

Central Lock 851N/500mm,  $\varnothing 19 \times 22$ mm, NPL, CK SISO, KA:D20, 13 mm Pegs

## Item number:

14.01.321-0

Units	Box	Carton	HS Code	Barcode
Pcs.	24	120	8301300000	
				5704866487184



## SISO A/S

Mileparken 11  
DK-2740 Skovlunde  
Denmark  
VAT: DK 24786013

Phone +45 45 830 900

[www.siso.dk](http://www.siso.dk)  
[siso@siso.dk](mailto:siso@siso.dk)

Danske Bank  
Nytorv Branch  
Copenhagen  
SWIFT: DABADKKK

Account no.  
4180 3112 112936  
IBAN Account  
DK7230003112112936